

Figure 1
 X-Cell Gas Graphite
<http://www.rchelibase.com>

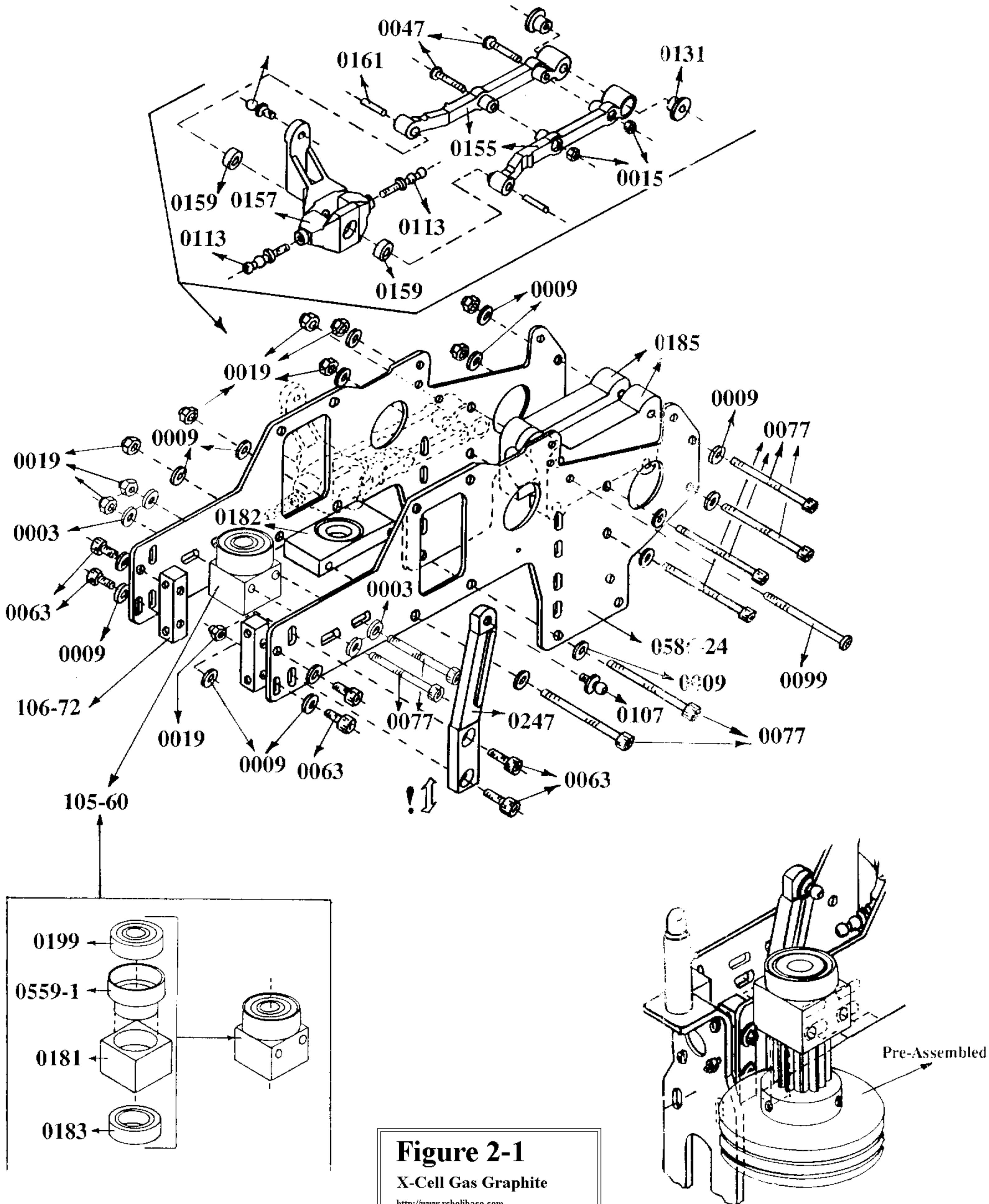


Figure 2-1

X-Cell Gas Graphite

<http://www.rchelibase.com>

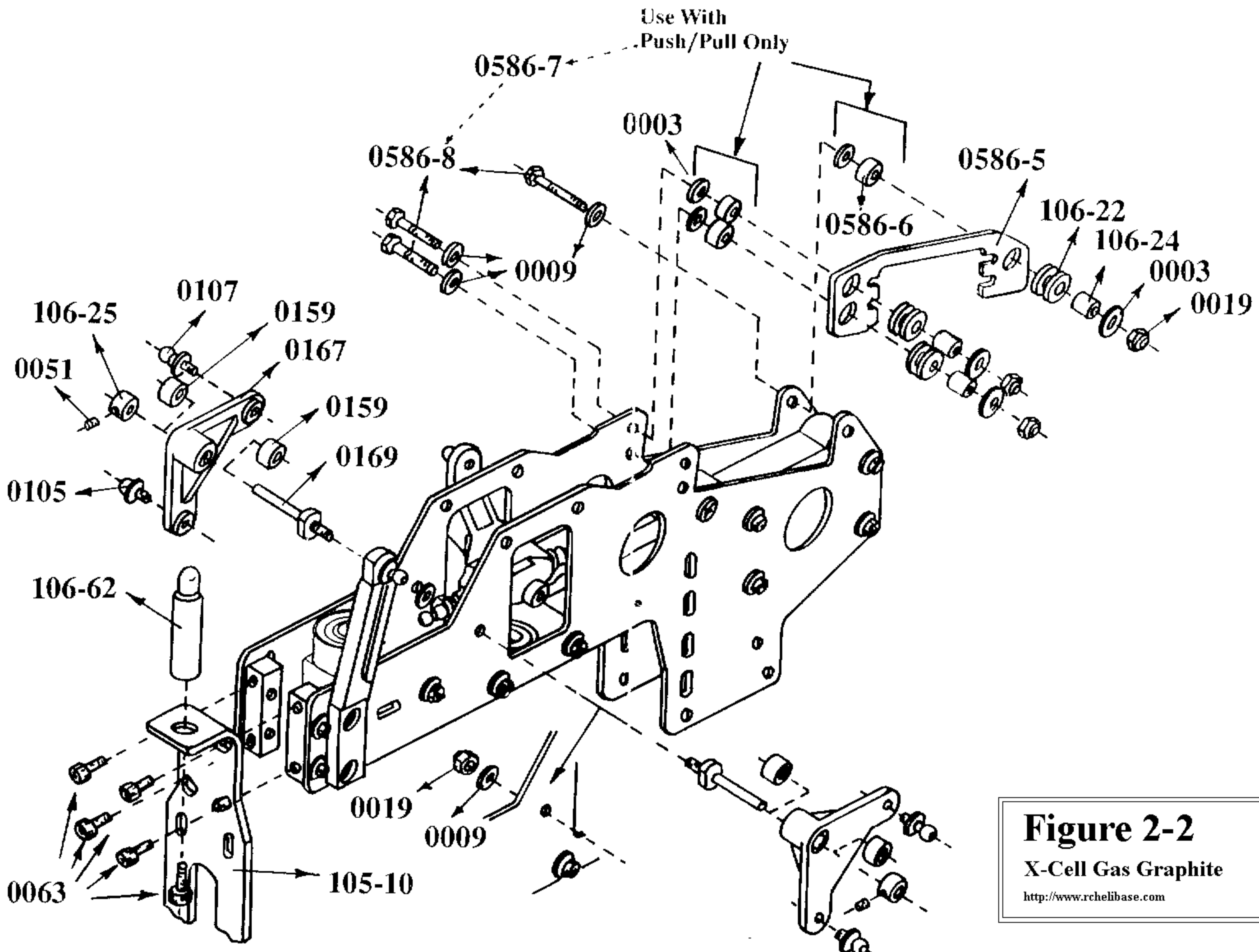
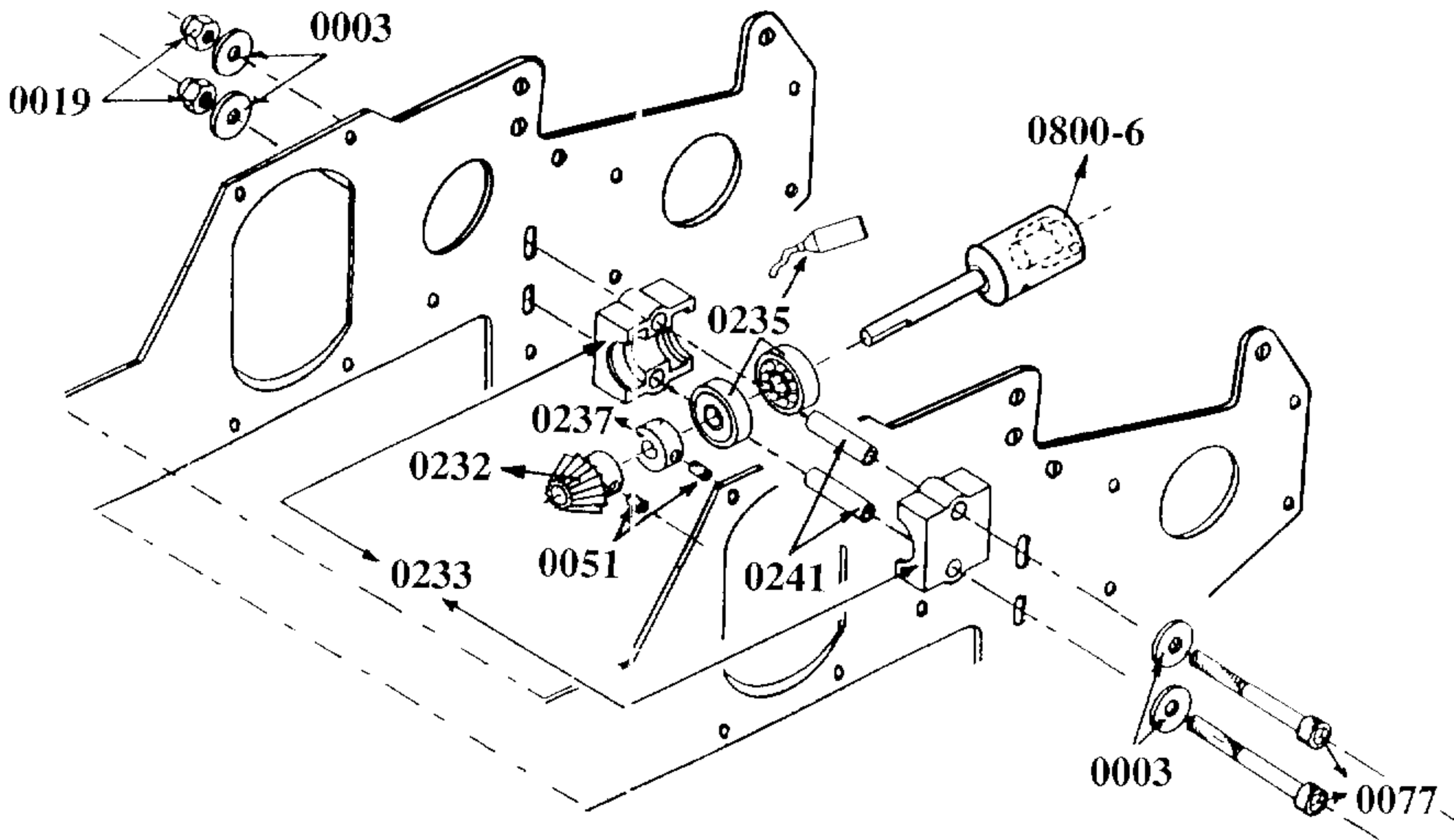


Figure 2-2
 X-Cell Gas Graphite
<http://www.rchelibase.com>

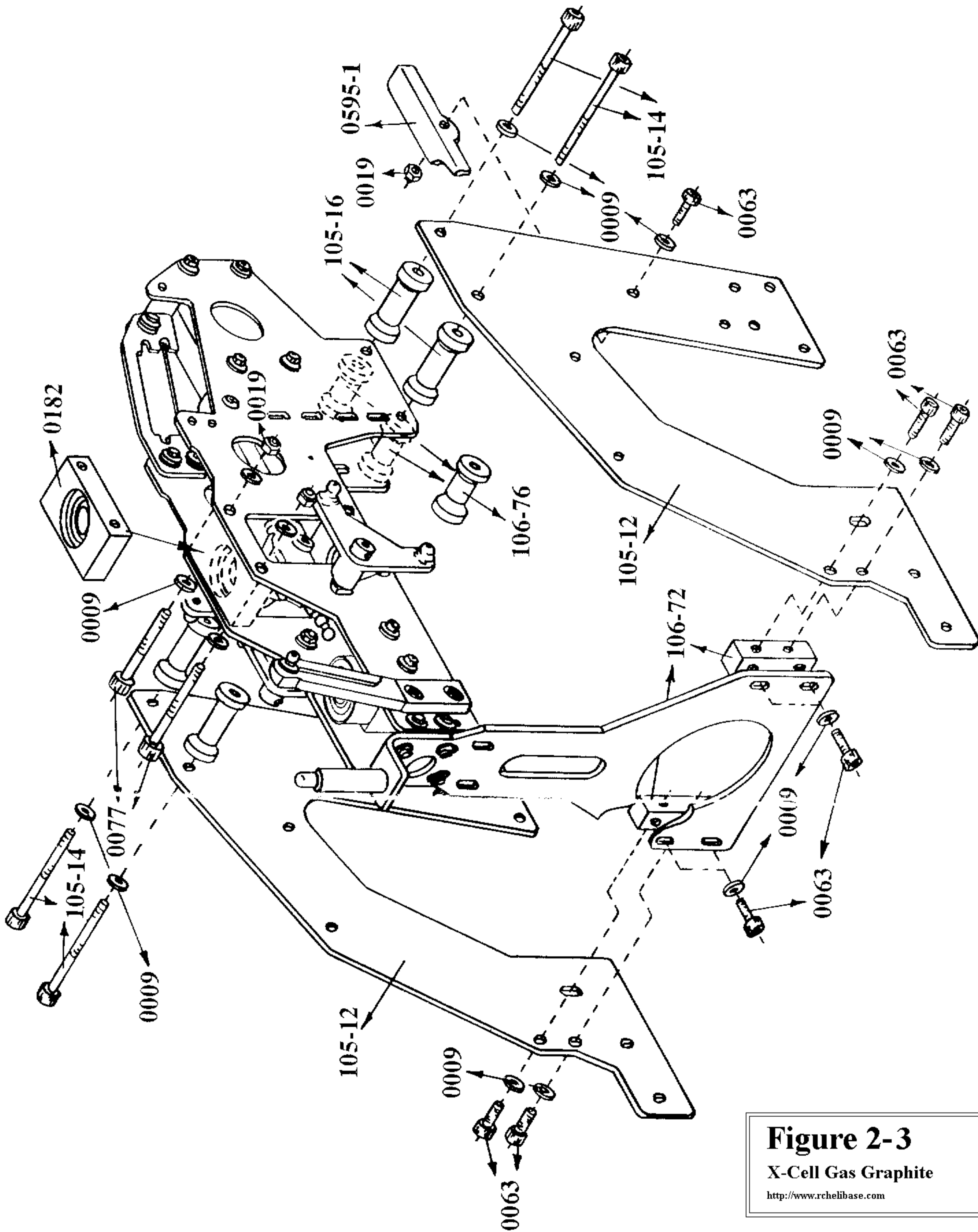


Figure 2-3
 X-Cell Gas Graphite
<http://www.rchelibase.com>

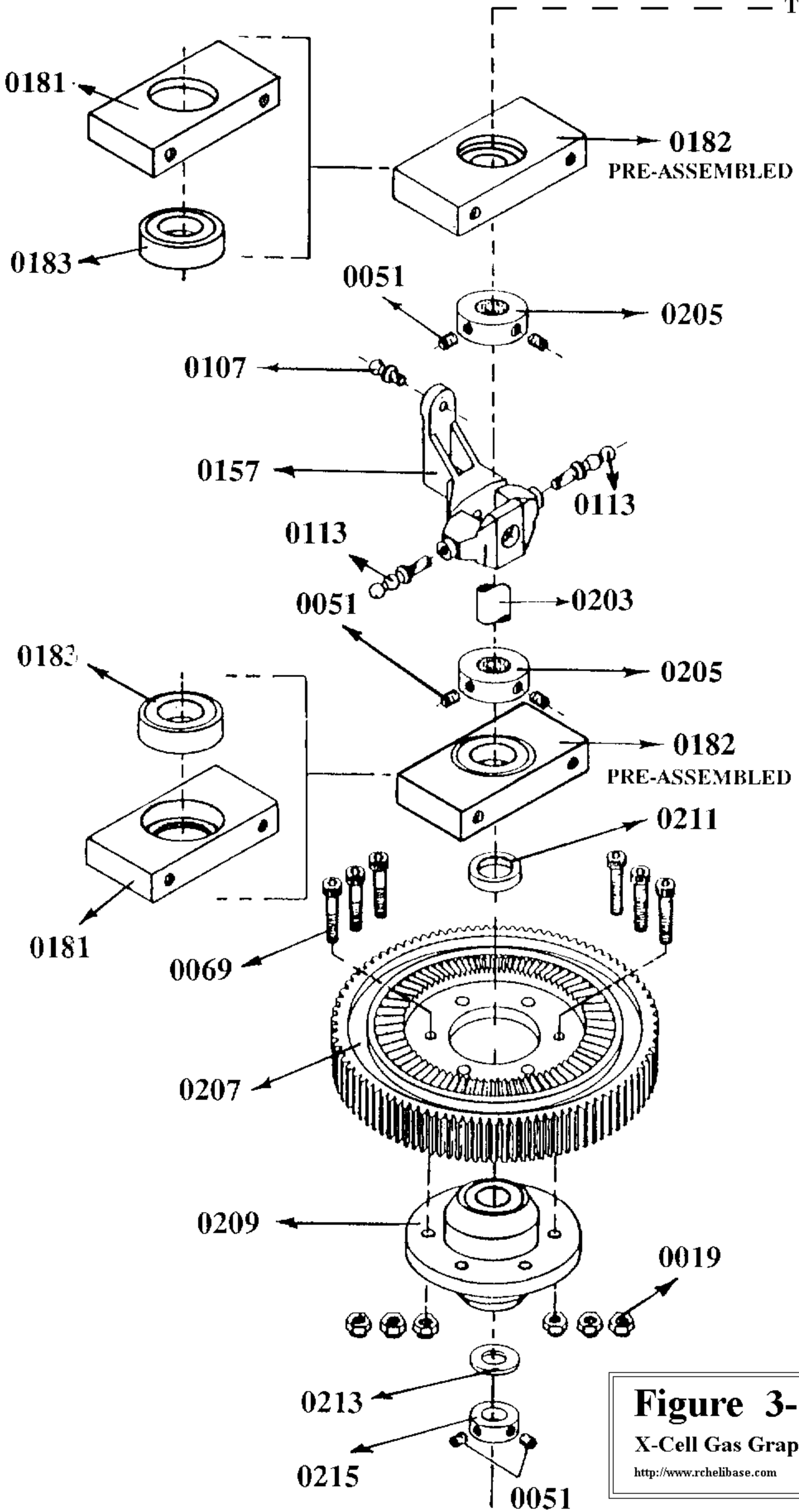


Figure 3-1
X-Cell Gas Graphite
<http://www.rchelibase.com>

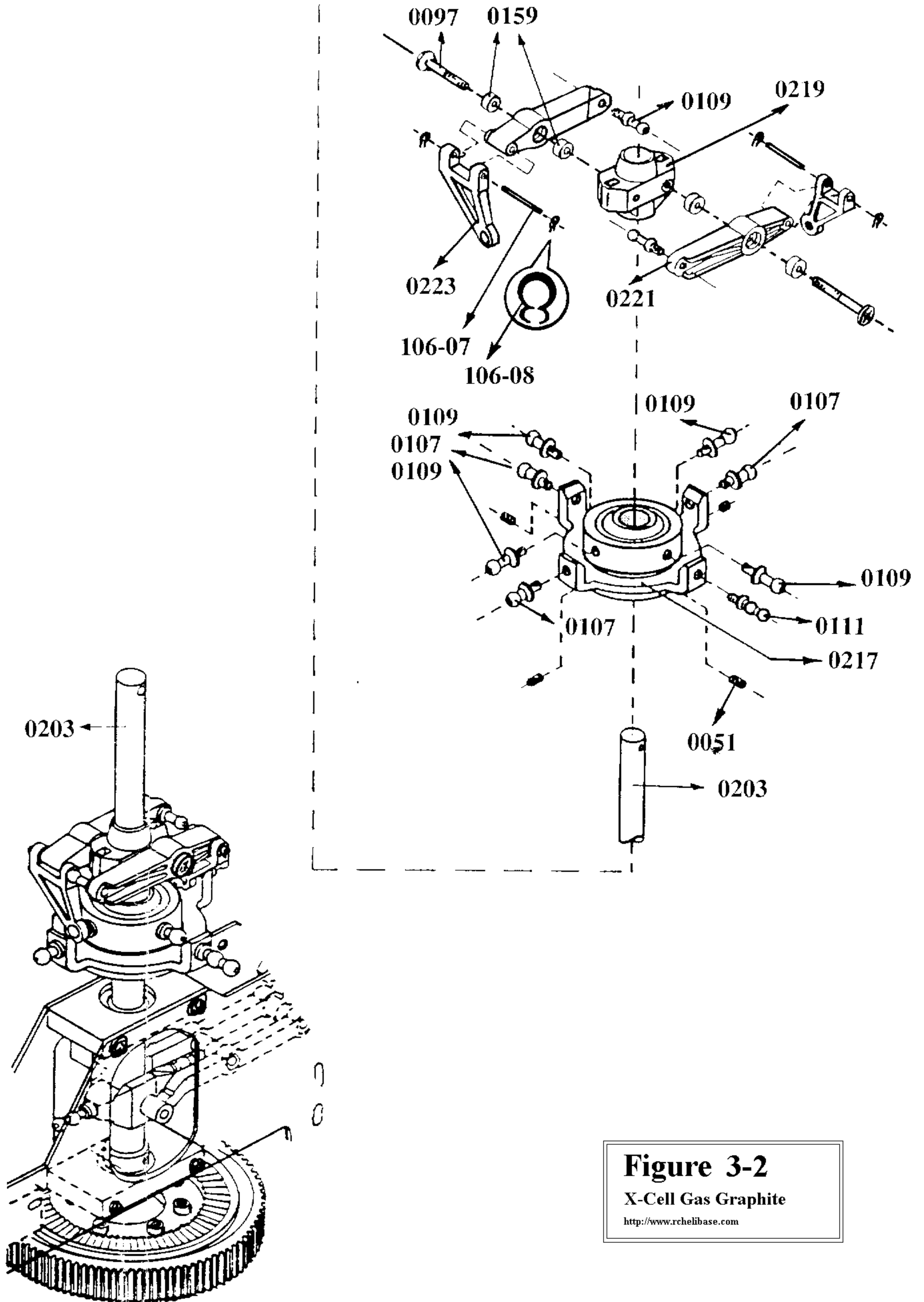


Figure 3-2
X-Cell Gas Graphite
<http://www.rchelibase.com>

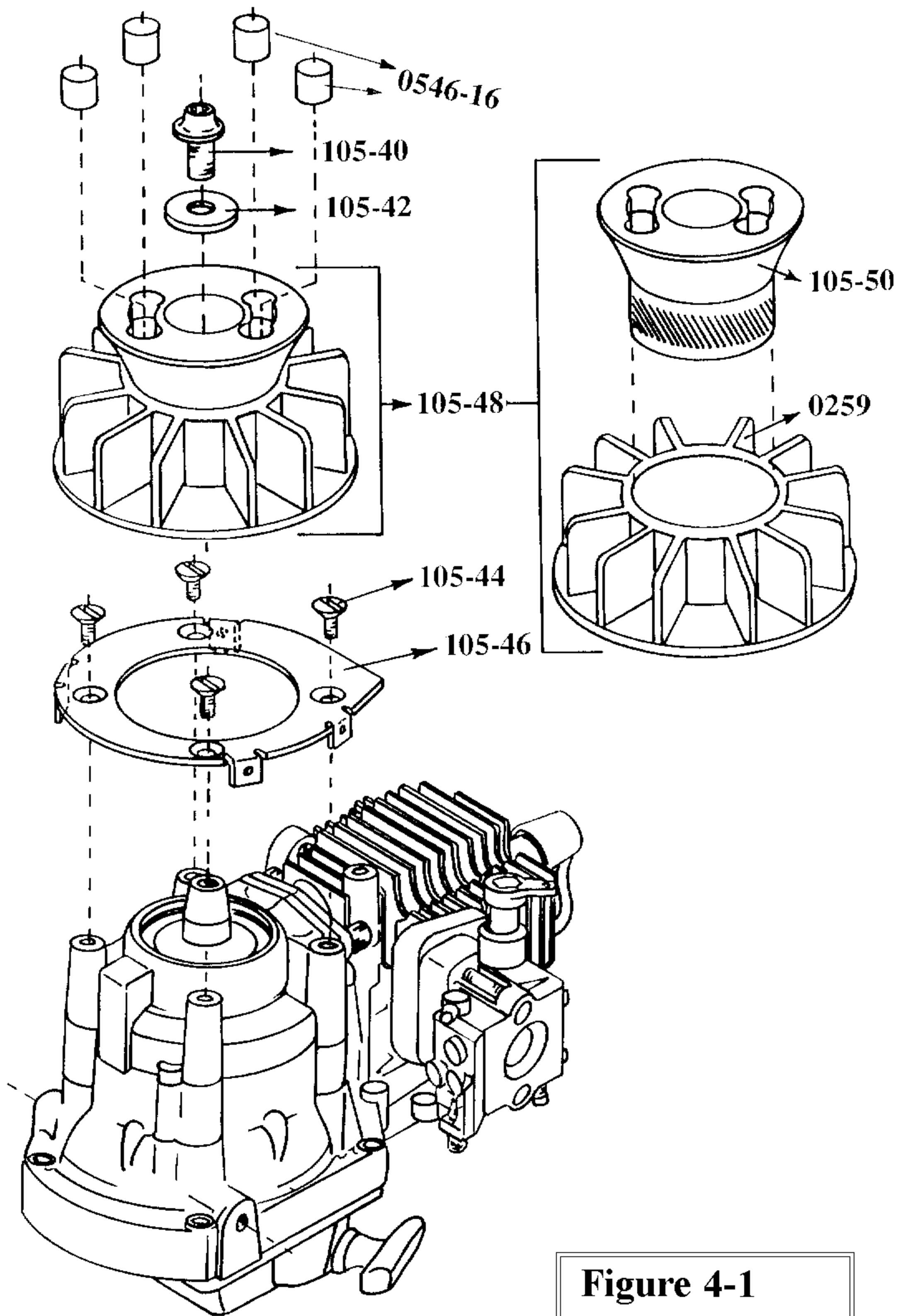


Figure 4-1

X-Cell Gas Graphite

<http://www.rchelibase.com>

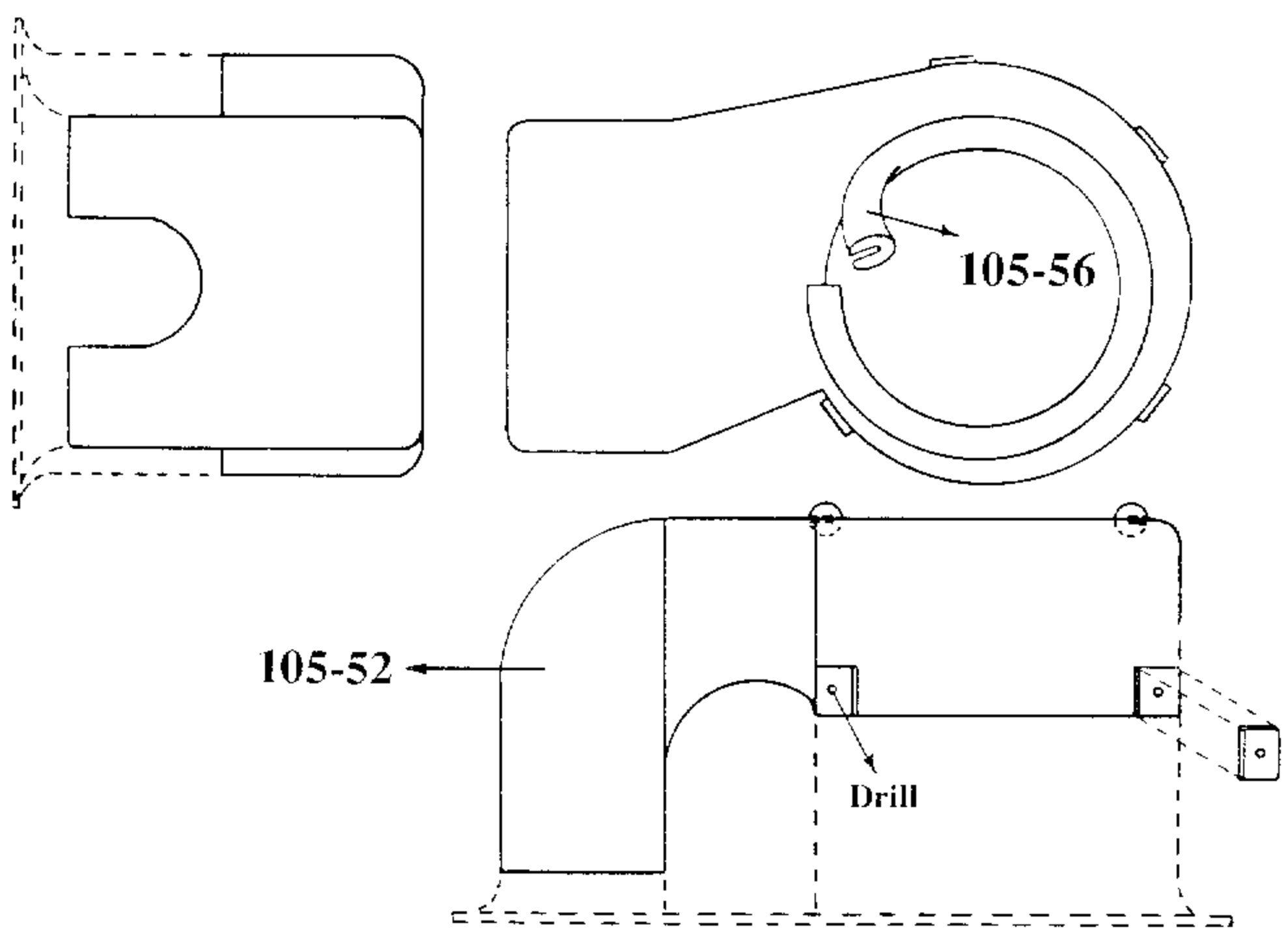
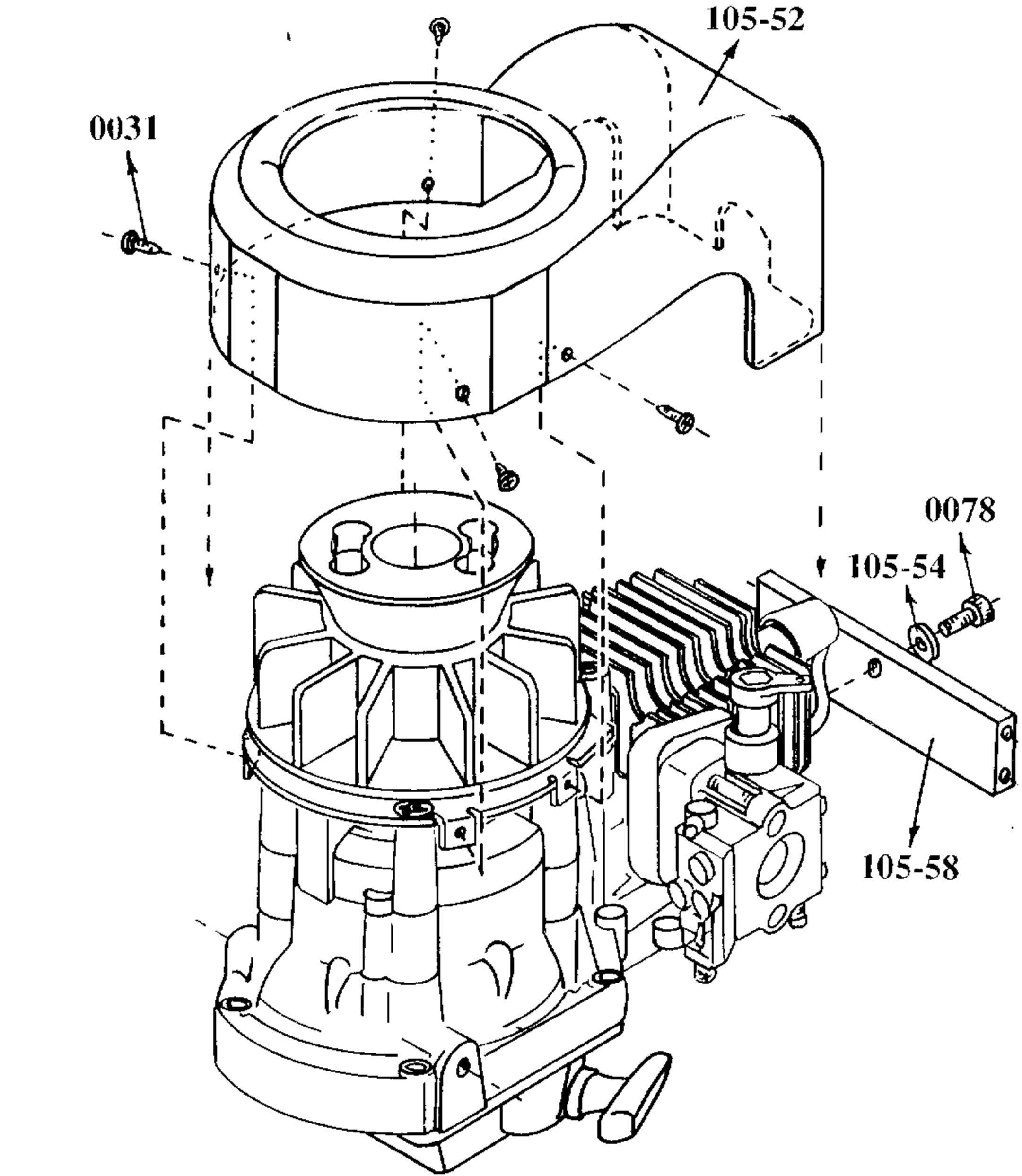


Figure 4-2
 X-Cell Gas Graphite
<http://www.rchelibase.com>

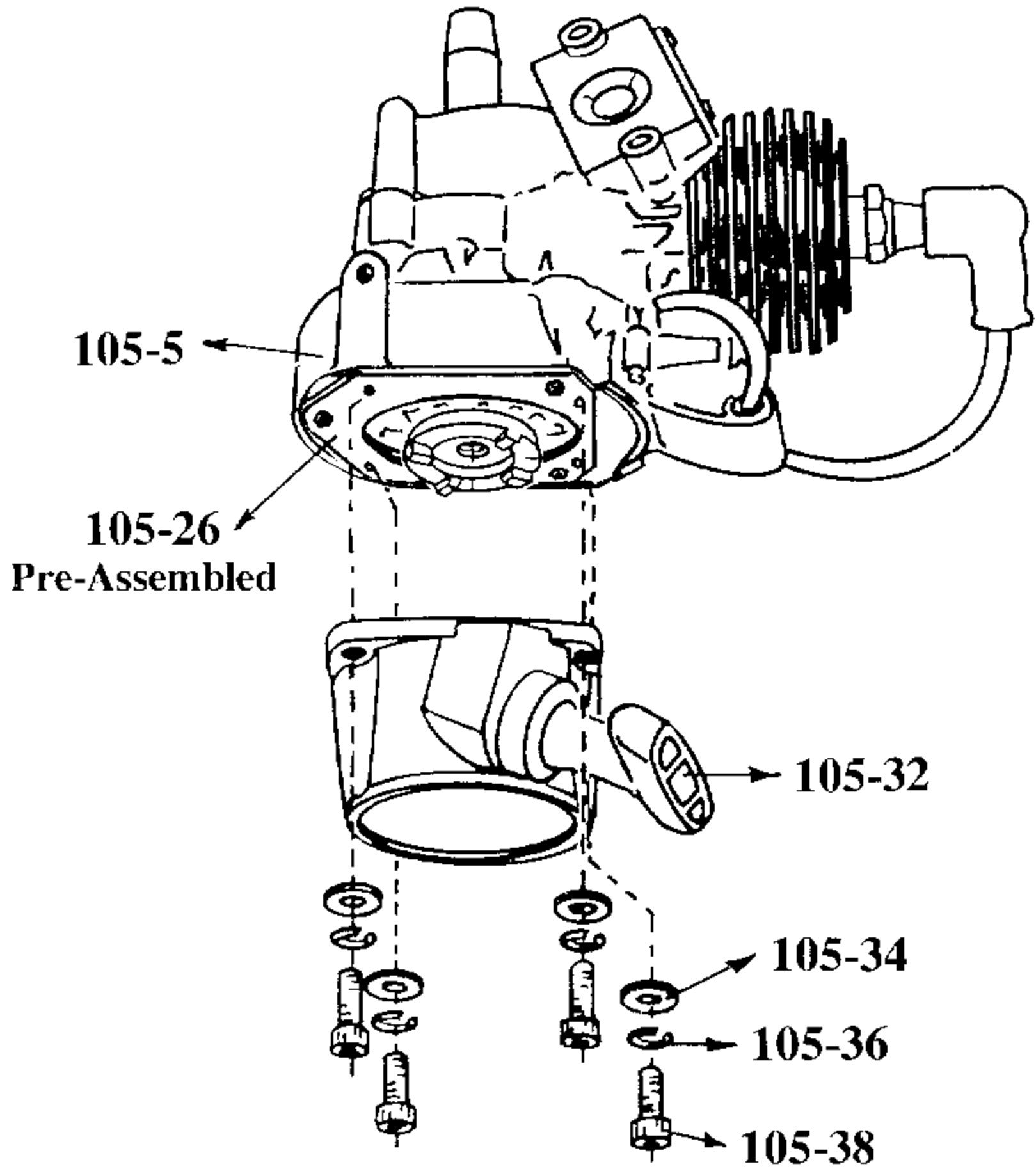


Figure 4-3
X-Cell Gas Graphite
<http://www.rchelibase.com>

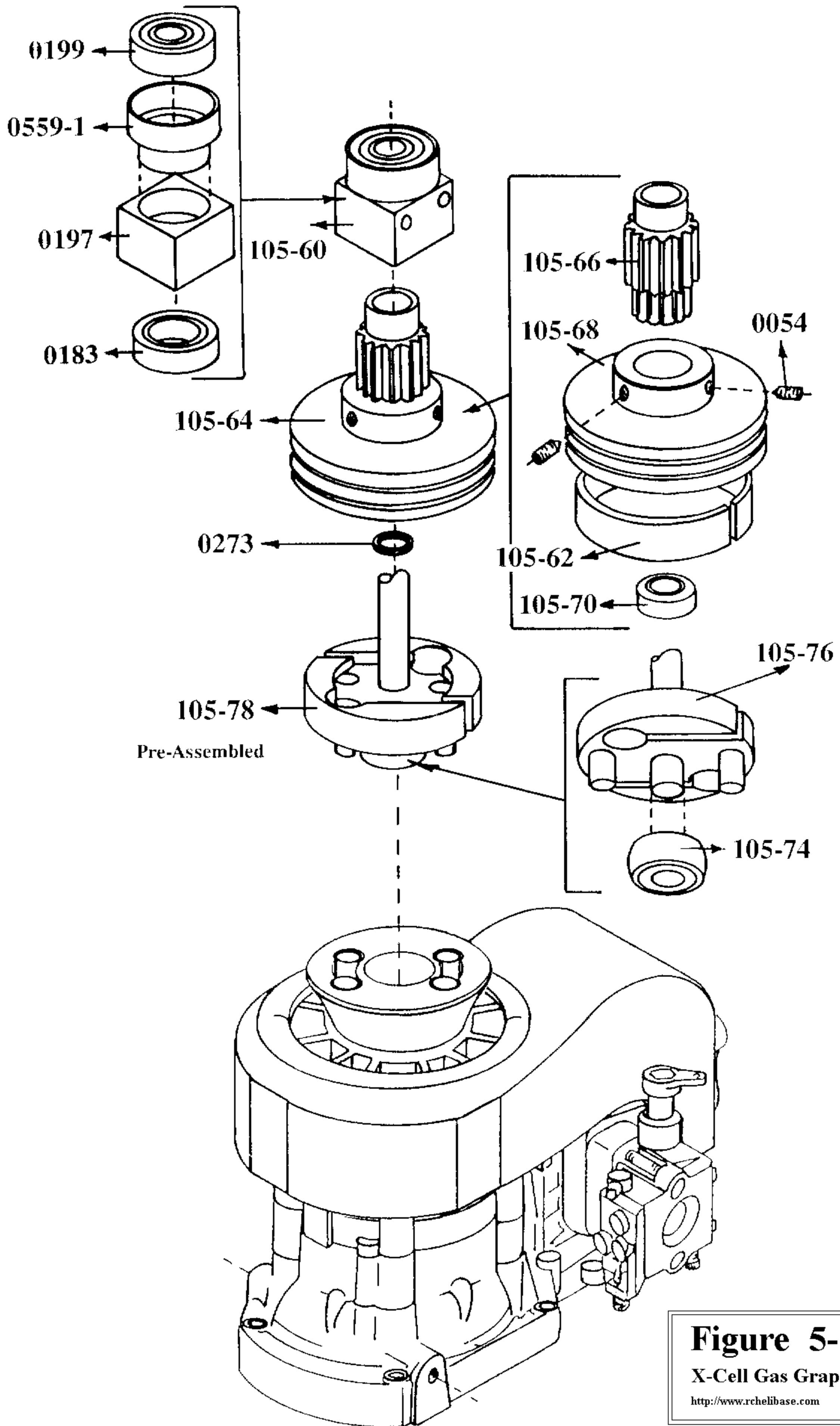


Figure 5-1
 X-Cell Gas Graphite
<http://www.rchelibase.com>

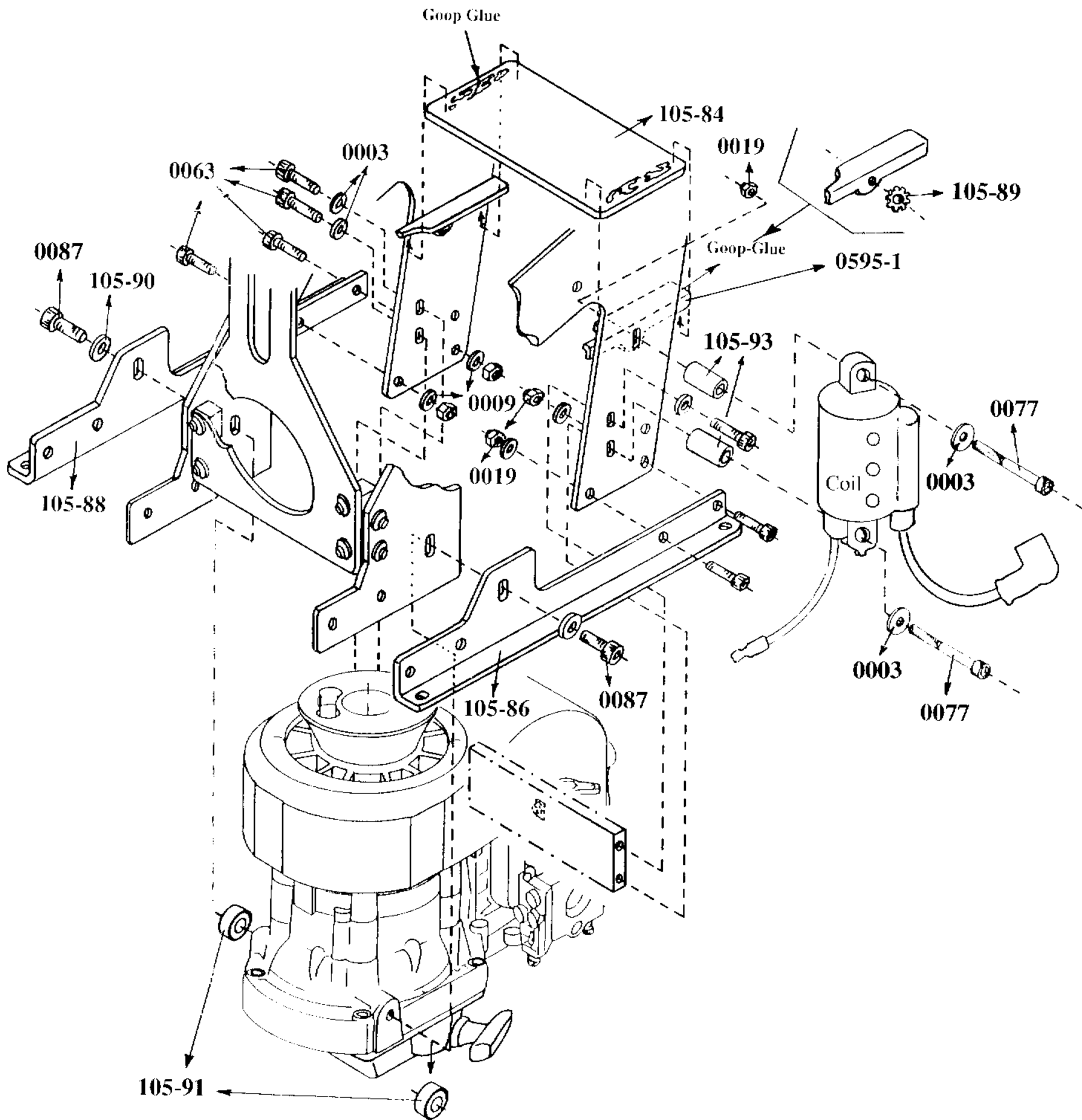


Figure 5-2
X-Cell Gas Graphite
<http://www.rchelibase.com>

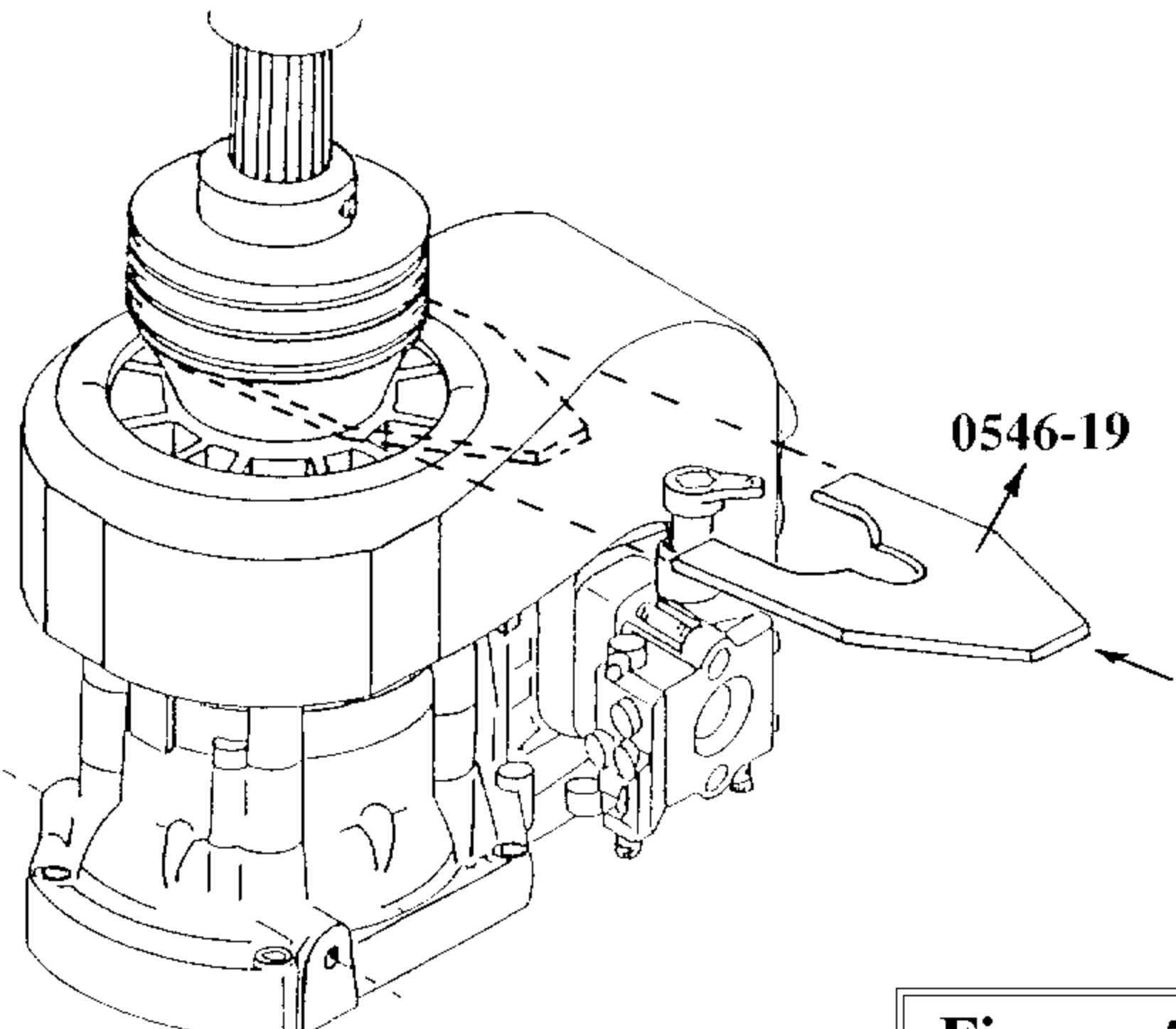
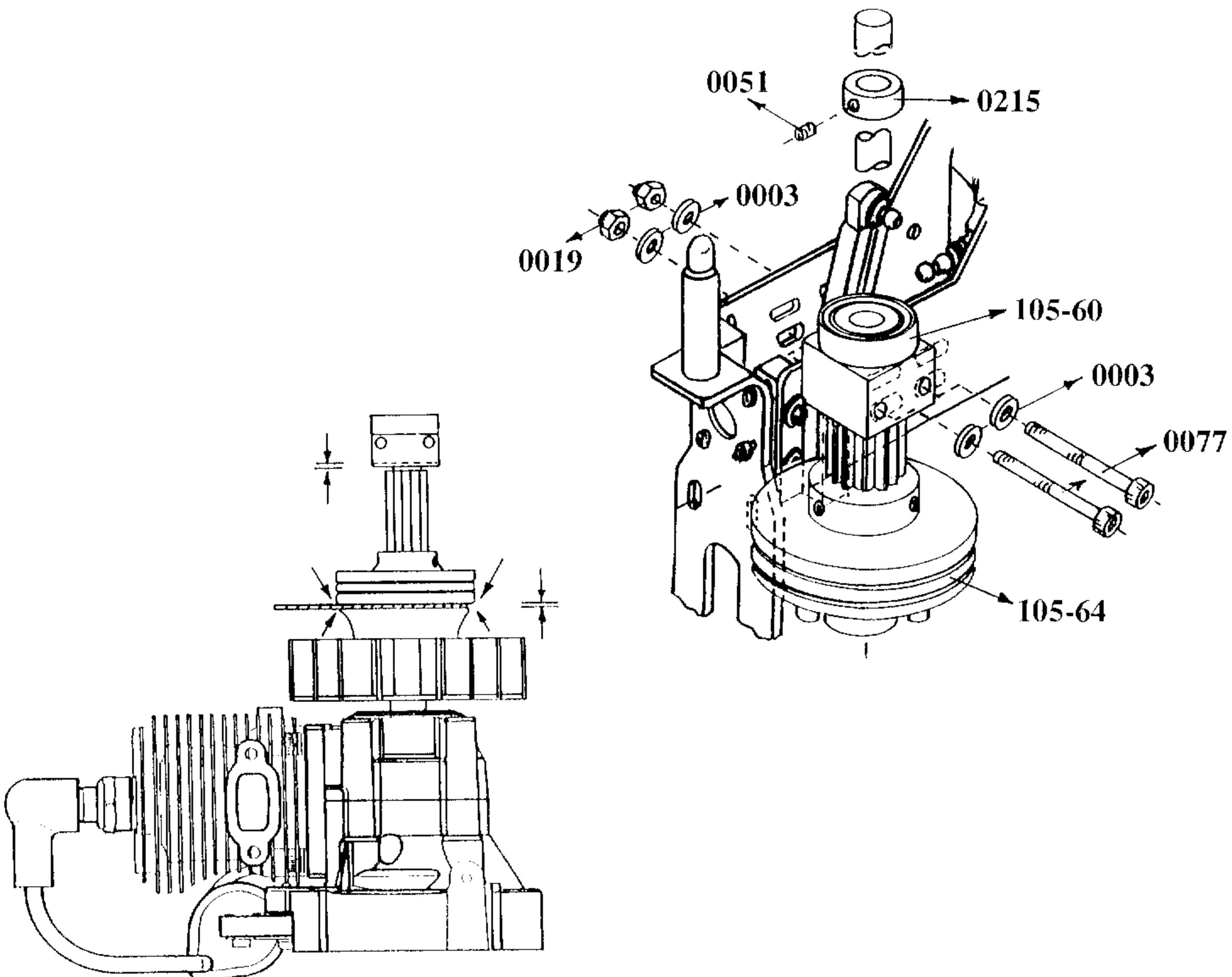


Figure 5-3

X-Cell Gas Graphite

<http://www.rchelibase.com>

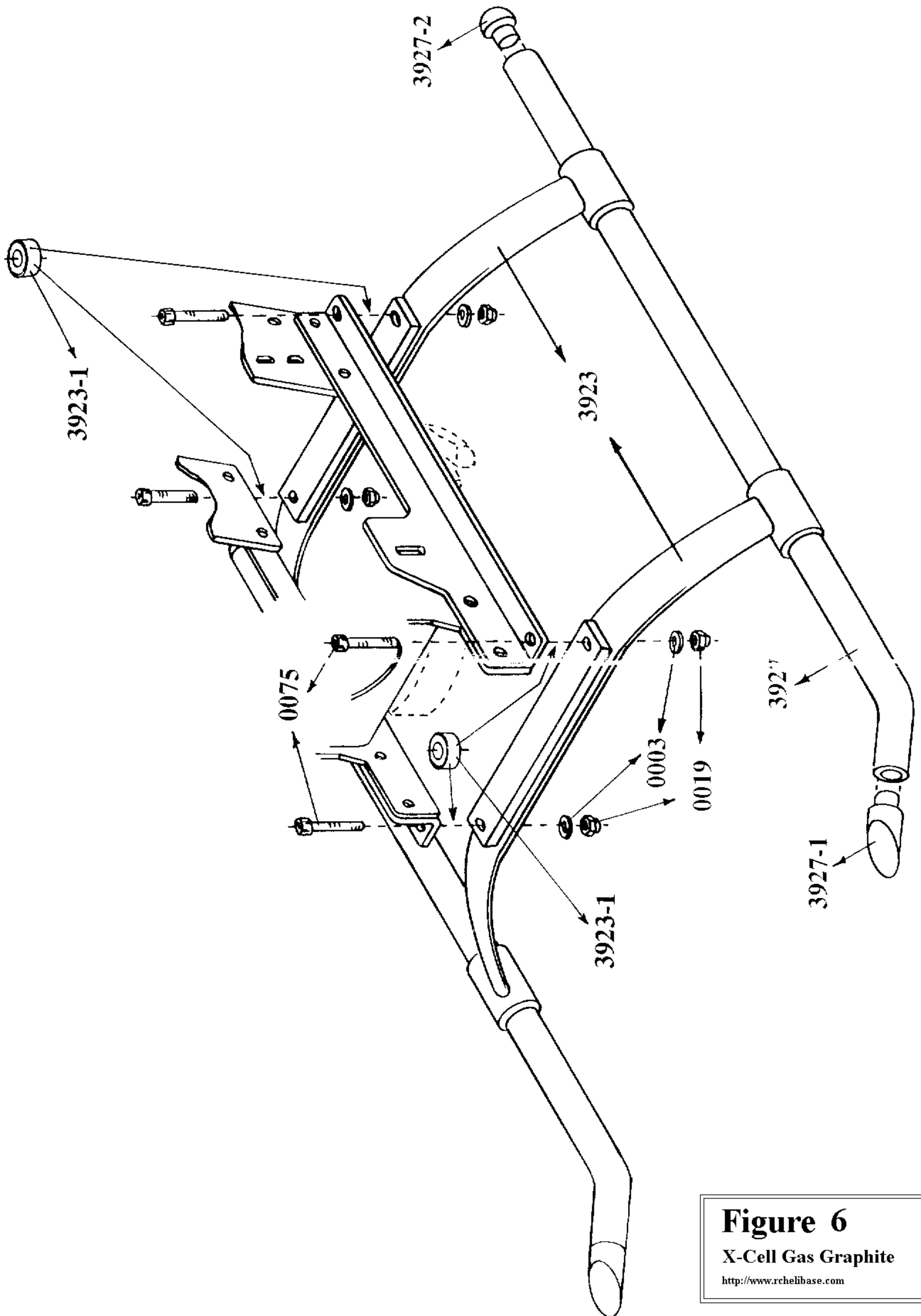


Figure 6
X-Cell Gas Graphite
<http://www.rchelibase.com>